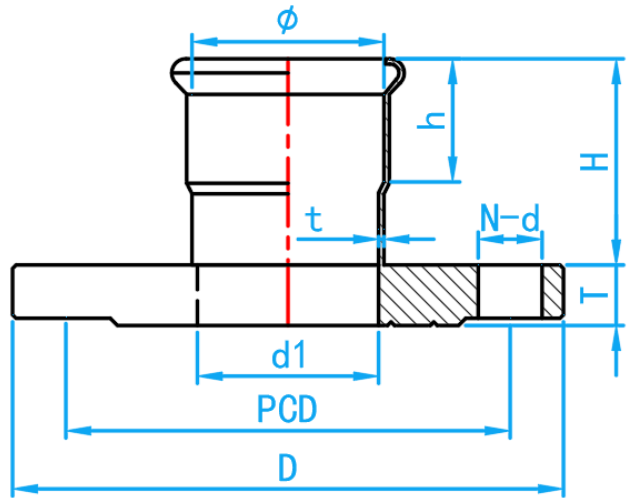


# STAINLESS STEEL 304 PRESS FIT FITTINGS (M PROFILE)

COMPLY WITH BSEN1254-2: 1998



## PRESSFIT FLANGE SOCKET



CROSS SECTIONAL VIEW

### DIMENSIONS

SKU	Ø (mm)	D (mm)	PCD (mm)	d1 (mm)	NO.S OF HOLS	d (mm)	T (mm)	H (mm)	h (mm)	t (mm)	WEIGHT (kg)
SSPFNFLS01515	15	95	65	12	4	14	14	31	20	1.5	0.640
SSPFNFLS02020	22	105	75	18	4	14	16	35	21	1.5	0.940
SSPFNFLS02525	28	115	85	24	4	14	16	40	23	1.5	1.140
SSPFNFLS03535	35	130	100	31	4	18	18	45	26	1.5	1.840
SSPFNFLS04242	42	140	110	38	4	18	18	54	31	1.5	2.150
SSPFNFLS05050	54	155	125	50	4	18	19	67	36	1.5	2.720
SSPFNFLS06565	67	175	145	63	4	18	18	67	50	1.8	3.640
SSPFNFLS08080	76	190	160	72	8	18	20	73	51	2.0	4.140
SSPFNFLS100100	108	210	180	104	8	18	22	86	75	2.0	4.710